



# UMS210

## Features

- Better additional short-term stability, up to  $2.0E-14/1s$
- Ultra low phase noise  $\leq -115dBc/Hz@1Hz$ ,  $\leq -155dBc/Hz@1kHz$
- Low spurious  $\leq -100dBc$

## Applications

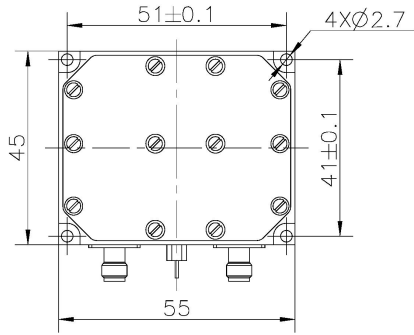
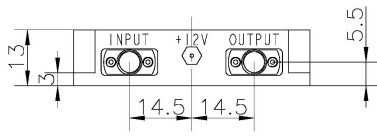
- Frequency standards and sources
- Measuring and calibration equipment
- Navigation

## Technical Specifications

<b>Input Sign specifications</b>		
Frequency range	100MHz $\pm$ 100Hz	
Wave form	Sine wave	
Power	10 $\pm$ 2 dBm	
Harmonics	$\leq -30$ dBc	
Spurious	$\leq -70$ dBc	
Load	50 $\Omega$ $\pm$ 5%	
<b>Output Sign specifications</b>		
Frequency range	1000MHz $\pm$ 1kHz	
Wave form	Sine wave	
Power	10 $\pm$ 3 dBm	
Harmonics	$\leq -40$ dBc	
Spurious	$\leq -80$ dBc	$\leq -100$ dBc
Load	50 $\Omega$ $\pm$ 5%	
Power stability vs Temperature (-40°C to 70°C)	$\leq 2.0$ dB	
<b>Additional short-term stability</b>		
$\leq 2 \times 10^{-14}/1s$		
<b>Phase Noise ( dBc/Hz)</b>	<b>Option: S</b>	<b>Option: U</b>
1 Hz	-110	-115
10 Hz	-125	-130
100 Hz	-140	-145
1 KHz	-150	-155
10 KHz	-150	-155
<b>Input voltage range</b>		
12 VDC $\pm$ 5%		
Power consumption (at 25°C)	2W	
Vibration	MIL-STD-202G	
<b>Size (L×W×H)</b>	55×45×13mm <sup>3</sup>	



**Outline drawing and Electrical connections (mm)**



INPUT: 100MHz (SMA-F)  
OUTPUT: 1000MHz (SMA-F)  
+12V: DC +12v

