



UMS204A

Features

- Better additional short-term stability, up to $2.0E-14/1s$
- Ultra low phase noise $\leq -130dBc/Hz@1Hz$, $\leq -171dBc/Hz@1kHz$
- Low spurious $\leq -100dBc$

Applications

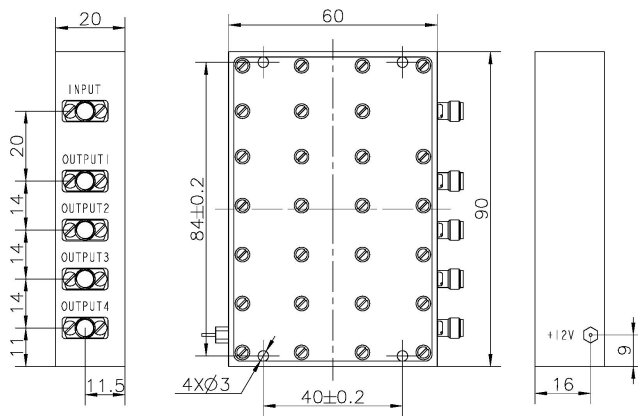
- Frequency standards and sources
- Measuring and calibration equipment
- Navigation

Technical Specifications

Input Sign specifications		
Frequency range	100MHz \pm 100Hz	
Wave form	Sine wave	
Power	10 \pm 2 dBm	
Harmonics	≤ -30 dBc	
Spurious	≤ -70 dBc	
Load	50 Ω \pm 5%	
Output Sign specifications		
Frequency range	400MHz \pm 400Hz	
Number of outputs	4	
Port to port isolation	≥ 50 dB	
Wave form	Sine wave	
Power	10 \pm 3 dBm	
Harmonics	≤ -40 dBc	
Spurious	≤ -80 dBc	≤ -100 dBc
Load	50 Ω \pm 5%	
Powe stability vs Temperature (-40°C to 70°C)	≤ 2.0 dB	
Additional short-term stability	$\leq 2 \times 10^{-14}/1s$	
Phase Noise (dBc/Hz)	Option: S	Option: U
1 Hz	-120	-125
10 Hz	-135	-140
100 Hz	-150	-155
1 KHz	-160	-165
10 KHz	-160	-165
Input voltage range	12 VDC \pm 5%	
Power consumption (at 25°C)	3W	
Vibration	MIL-STD-202G	
Size (L×W×H)	90×60×20mm ³	



Outline drawing and Electrical connections (mm)



INPUT: 100MHz (SMA-F)
OUTPUT1: 400MHz (SMA-F)
OUTPUT2: 400MHz (SMA-F)
OUTPUT3: 400MHz (SMA-F)
OUTPUT4: 400MHz (SMA-F)
+12V: DC +12v

